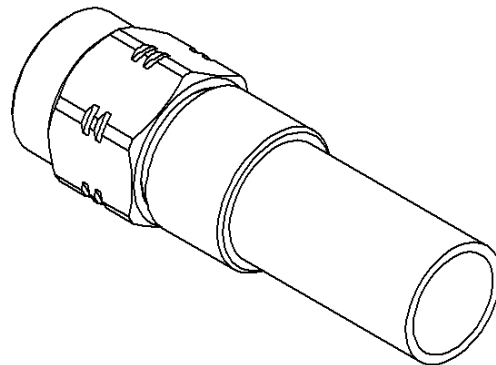
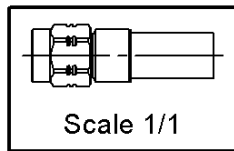
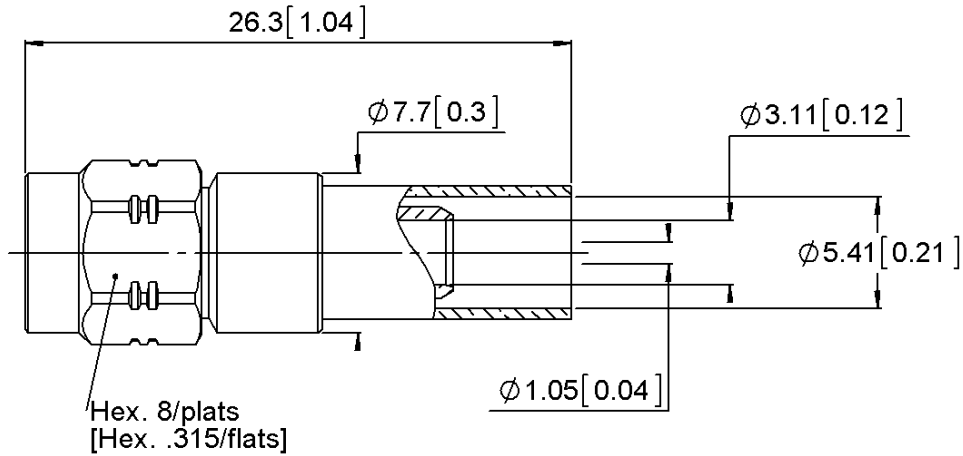
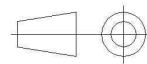


PAGE 1/2	ISSUE 1431 A	SERIES SMA-COM	PART NUMBER <b>R124075210</b>
----------	--------------	----------------	-------------------------------



All dimensions are in mm.



COMPONENTS	MATERIALS	PLATINGS (µm)
Body	<b>BRASS.</b>	<b>BBR2</b>
Center contact	<b>BRASS.</b>	<b>GOLD 1.3 OVER COPPER 2.5</b>
Outer contact		
Insulator	<b>PTFE</b>	
Gasket		
Others parts	<b>BRASS.</b>	<b>BBR2</b>
-	-	
-	-	

PAGE 2/2	ISSUE 1431 A	SERIES SMA-COM	PART NUMBER R124075210
----------	--------------	----------------	------------------------

**PACKAGING**

Standard	Unit	Other
100	Contact us	Contact us

**ELECTRICAL CHARACTERISTICS**

Impedance	50	Ω
Frequency	0-12.4	GHz
VSWR	TBD + 0.0100	x F(GHz) Maxi
Insertion loss	TBD	√F(GHz) dB Maxi
RF leakage	- ( 60	- F(GHz)) dB Maxi
Voltage rating	335	Veff Maxi
Dielectric withstanding voltage	1000	Veff mini
Insulation resistance	5000	MΩ mini

**ENVIRONMENTAL**

Operating temperature	-65/+165	°C
Hermetic seal	NA	Atm.cm3/s
Panel leakage	NA	

**SPECIFICATION**

**MECHANICAL CHARACTERISTICS**

Center contact retention		
Axial force – Mating End	18	N mini
Axial force – Opposite end	18	N mini
Torque	NA	N.cm mini
Recommended torque		
Mating	60	N.cm
Panel nut	NA	N.cm
Clamp nut	NA	N.cm
A/F clamp nut	0.0000	mm
Mating life	100	Cycles mini
Weight	7.3500	g

**CABLE ASSEMBLY**

Stripping	a	b	c	d	e	f
mm	4.3	6.3	11.5	0	7.2	0

Assembly instruction: **Crimp 02\***

Recommended cable(s)

- RG 58
- KX 15
- RG 141
- ECO 142

- AEP-195FR
- LMR 195

Characteristics indicated on this data sheet are those that can be achieved with the highest performance cable. Intrinsic limitations of the cable may diminish the performance of the assembly

Cable retention

- pull off	180	N mini
- torque	NA	N.cm

**TOOLING**

Part Number	Description	Hexagon
R282223000	CRIMPING TOOL	.213
R282281000	CRIMPING TOOL	2x4 (Pos.7)
R282967015	POSITIONER FOR CRIMPING TOOL	

**OTHER CHARACTERISTICS**

**\*prior to step two of Crimp 02, slide disk insulator onto center conductor, and bottom contact on disk insulator**